

BOOTZCAST AFR (ABOVE FLOOR ROUGH)
PORCELAIN ENAMEL
60" X 30" X 16 5/8" BATHTUB



011-7150 RH DRAIN, SLIP RESISTANT
011-7151 LH DRAIN, SLIP RESISTANT

DESCRIPTION:

The Bootzcast AFR (Above Floor Rough) is a 60" x 30" x 16 5/8" bathtub encased with a SYNIRON 2 composite backed material. The Bootzcast AFR bathtub is designed for above floor installations and has a raised bathing well floor to allow for above floor drain installations (e.g. hotel, motel, concrete floor installations). The Bootzcast AFR is "the affordable alternative to cast iron" designed to improve heat retention, prevent handling, and installation damage. The Bootzcast AFR has a 40 degree lumbar support for a more comfortable bathing experience. Construction is one piece heavy gauge seamless steel with an acid resistant porcelain enamel finish. The Bootzcast AFR weighs 83 lbs., easy to install into a bathtub alcove - "just set it and level it". The full length support pad offers added strength and sound deadening. This product is compatible or complies with ASME A112.19.1/CSA B45.2 (Standard for Enameled Steel Plumbing Fixtures), ADA (American Disabilities Act), ASTM F 462 (Safety Specification for Slip Resistant Bathing Facilities), ASTM E 162 (Test Method for Surface Flammability), ASTM E 662 (Test Method for Smoke Density), ANSI Z124.1.2sec5.6 (Ignition Test), WW-P 541 (U.S. Military Federal Specification), HUD-FHA-VA, LEED, and the Buy American Act, as applicable when installed accordingly. Available in white, bone and biscuit colors with a right and left drain. Made in the USA.

Weight: 83 lbs.



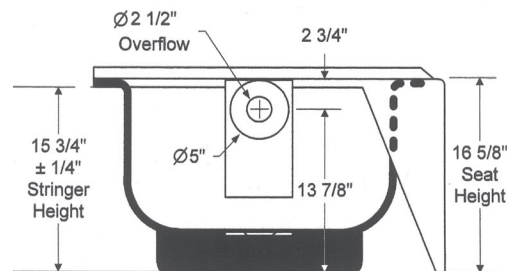
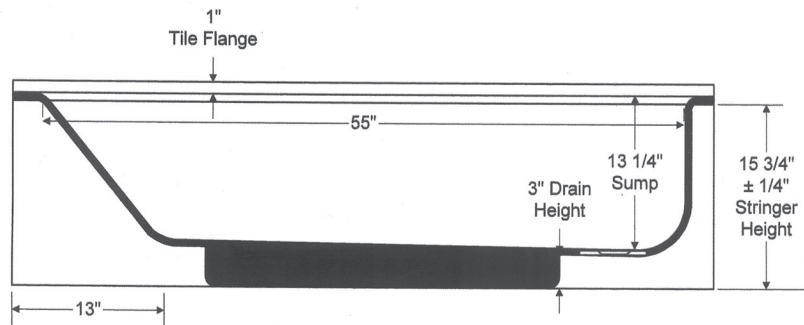
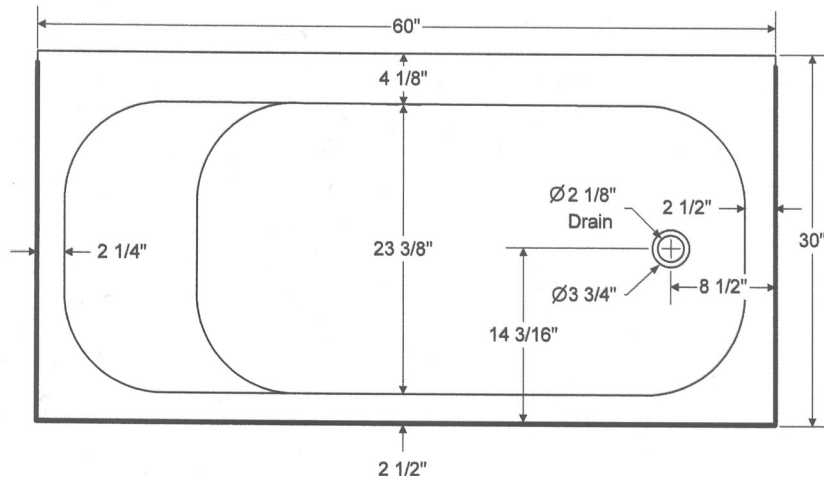
BOOTZCAST AFR (ABOVE FLOOR ROUGH) PORCELAIN ENAMEL 60" X 30" X 16 5/8" BATHTUB

Bootzcast 5' Bathtub

60" x 30" x 16 5/8"

Raised Outlet

011-7150 RH Drain, slip resistant
011-7151 LH Drain, slip resistant



Complies with:

All fixtures are compatible or comply with ANSI, ASME, CSA, WW-P 541, HUD-FHA-VA, LEED and the "Buy America Act" where applicable when installed accordingly.

Standard Features:

"The affordable alternative to cast iron"
Full length sound deadening pad
Slip resistant bottom
Set it and level it

Made in the USA

All Dimensions +/- 1/8" unless otherwise noted.
Dimensions shown are for reference.
Actual dimensions may vary slightly and should be checked prior to installation
SS 5/14

