

HONOLULU PORCELAIN ENAMEL 46 1/2" X 27" X 15 1/4" BATHTUB



011-3378 RH DRAIN, SLIP RESISTANT
011-3379 LH DRAIN, SLIP RESISTANT

DESCRIPTION:

The Honolulu is a 46 1/2" x 27" x 15 1/4" bathtub – used when space is limited and a bath is desired. The Honolulu bathtub features a traditional design with a standard “straight” back support. Construction is one piece seamless steel with an acid-resistant porcelain enamel finish. The Honolulu weighs 56 lbs., which allows easy transportation, handling, and installation. The Honolulu does not require a support pad. This product is compatible or complies with ASME A112.19.1/CSA B45.2 (Standard for Enameled Steel Plumbing Fixtures), ADA (American Disabilities Act), ASTM F 462 (Safety Specification for Slip Resistant Bathing Facilities), ASTM E 162 (Test Method for Surface Flammability), ASTM E 662 (Test Method for Smoke Density), ANSI Z124.1.2sec5.6 (Ignition Test), WW-P 541 (U.S. Military Federal Specification), HUD-FHA-VA, LEED, and the Buy American Act, as applicable when installed accordingly. Available in white, bone or biscuit colors with a right and left hand drain. Made in the USA.

Weight: 56 lbs



HONOLULU PORCELAIN ENAMEL 46 1/2" X 27" X 15 1/4" BATHTUB

HONOLULU 4' Bathtub

46 1/2" x 27" x 15 1/4"

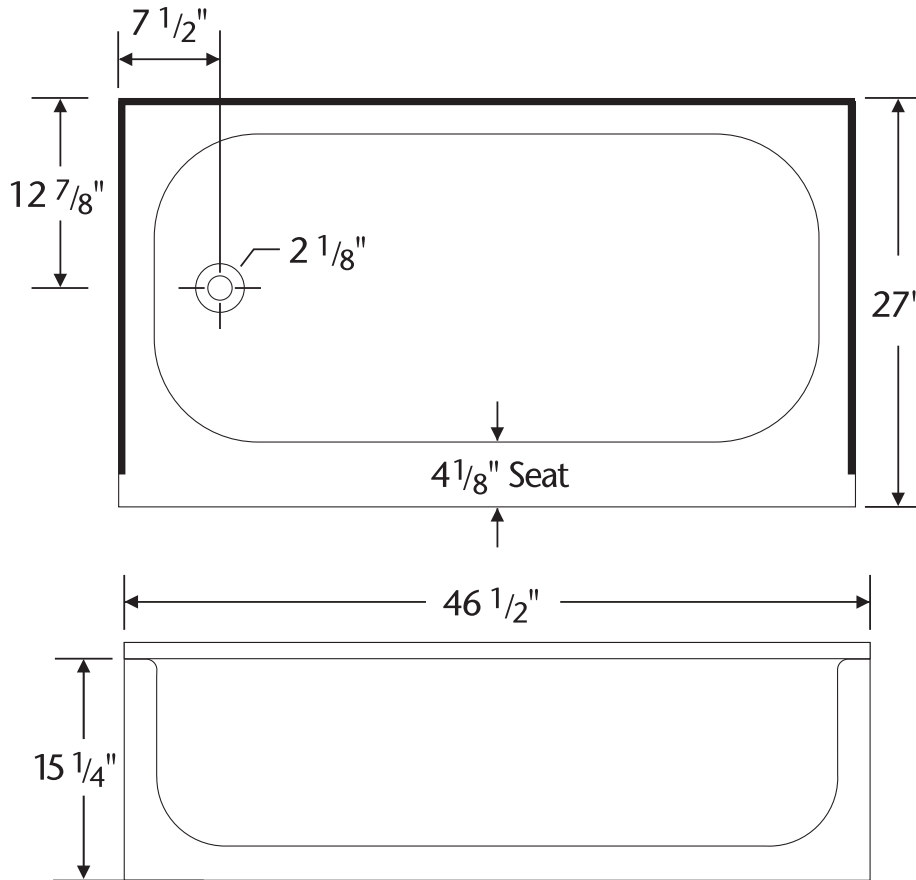
Standard Outlet

011-3378

RH Drain, slip resistant

011-3379

LH Drain, slip resistant



Complies with:

All fixtures are compatible or comply with ANSI, ASME, CSA, WW-P 541, HUD-FHA-VA, LEED and the "Buy America Act" where applicable when installed accordingly.

Standard Features:

- Slip resistant bottom
- Space-conscious size
- Chemical-resistant
- High-gloss
- Sanitary finish
- Industry-standard drain and overflow holes

Made in the USA

All Dimensions +/- 1/8" unless otherwise noted.

Dimensions shown are for reference.
Actual dimensions may vary slightly and should be checked prior to installation
SS 5/14

