

KONA PORCELAIN ENAMEL 54" X 30" X 15 1/4" BATHTUB



011-3302 RH DRAIN, SLIP RESISTANT
011-3303 LH DRAIN, SLIP RESISTANT

DESCRIPTION:

The Kona is a 54" x 30" x 15 1/4" bathtub - designed for space saving convenience. The Kona bathtub has a traditional design with a standard "straight" back support. Construction is one piece heavy gauge seamless steel with an acid resistant porcelain enamel finish. The Kona weighs 63 lbs., easy to transport and install into a bathtub alcove "just set it and level it". The full length support pad offers added strength and sound deadening. This product is compatible or complies with ASME A112.19.1/CSA B45.2 (Standard for Enameled Steel Plumbing Fixtures), ADA (American Disabilities Act), ASTM F 462 (Safety Specification for Slip Resistant Bathing Facilities), WW-P 541 (U.S. Military Federal Specification), HUD-FHA-VA, LEED, and the Buy American Act, as applicable when installed accordingly. Available in white, bone and biscuit colors with a right and left drain. Made in the USA.

Weight: 63 lbs



KONA PORCELAIN ENAMEL 54" X 30" X 15 1/4" BATHTUB

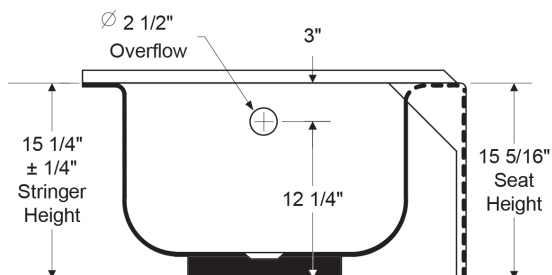
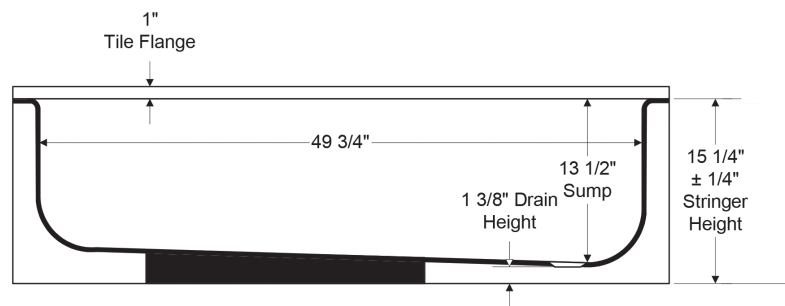
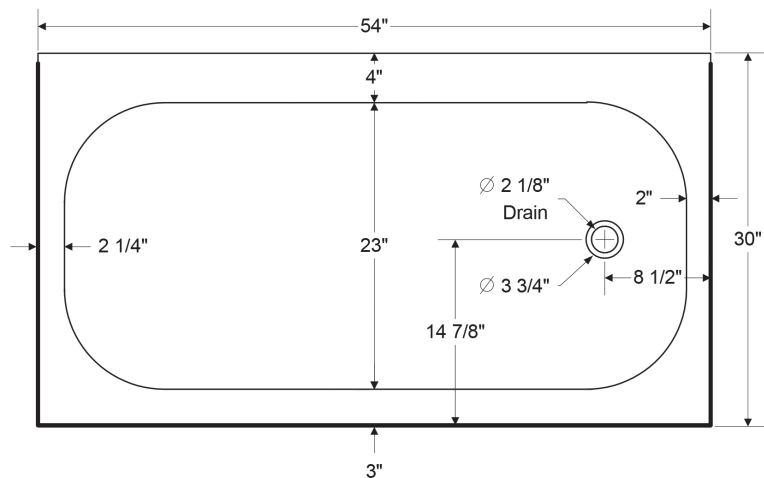
KONA 4 1/2' Bathtub

54" x 30" x 15 1/4"

Standard Outlet

011-3302 RH Drain, slip resistant

011-3303 LH Drain, slip resistant



Complies with:
All fixtures are compatible or comply with ANSI, ASME, CSA, WW-P 541, HUD-FHA-VA, LEED and the "Buy America Act" where applicable when installed accordingly.

Standard Features:
"The affordable alternative to cast iron"
Full length sound deadening pad
Slip resistant bottom
Set it and level it

Made in the USA

All Dimensions +/- 1/8" unless otherwise noted.
Dimensions shown are for reference.
Actual dimensions may vary slightly and should be checked prior to installation
SS 5/14

