

SYNIRON 1 AFR (ABOVE FLOOR  
ROUGH) PORCELAIN ENAMEL  
60" X 30" X 16 5/8" BATHTUB



011-3380 RH DRAIN, SLIP RESISTANT  
011-3381 LH DRAIN, SLIP RESISTANT

*DESCRIPTION:*

The SYNIRON 1 AFR is a 60" x 30" x 16 5/8" (above floor rough) bathtub with a SYNIRON composite backed material uniformly sprayed on the tub. The SYNIRON 1 AFR is "the affordable alternative to cast iron" designed to improve heat retention, prevent handling and installation damage. The SYNIRON 1 AFR bathtub is designed for above floor installations and has a raised bathing well floor to allow for above floor drain installations (e.g. hotel, motel, concrete floor installations). The SYNIRON 1 AFR has a traditional style with a standard "straight" back support. Construction is a one piece heavy gauge seamless steel with an acid resistant porcelain enamel finish. The SYNIRON 1 AFR weighs 81lbs., easy to install into a bathtub alcove - "just set it and level it". The full length support pad offers added strength and sound deadening. This product is compatible or complies with ASME A112.19.1/CSA B45.2 (Standard for Enameled Steel Plumbing Fixtures), ADA (American Disabilities Act), ASTM F 462 (Safety Specification for Slip Resistant Bathing Facilities), WW-P 541 (U.S. Military Federal Specification), HUD-FHA-VA, LEED, and the Buy American Act, as applicable when installed accordingly. Available in white, bone and biscuit colors with a right and left drain. Made in the USA.

Weight: 81 lbs



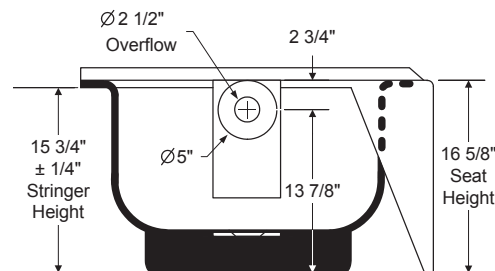
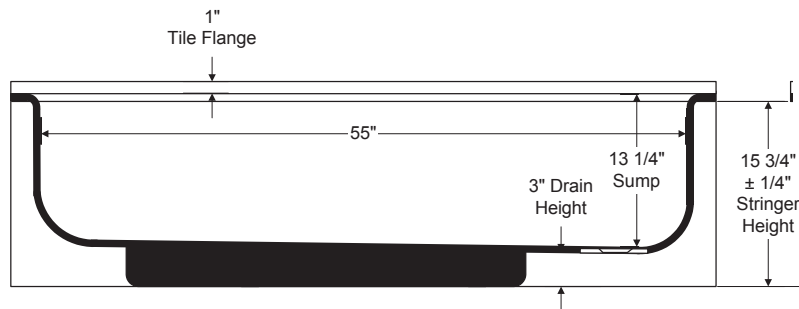
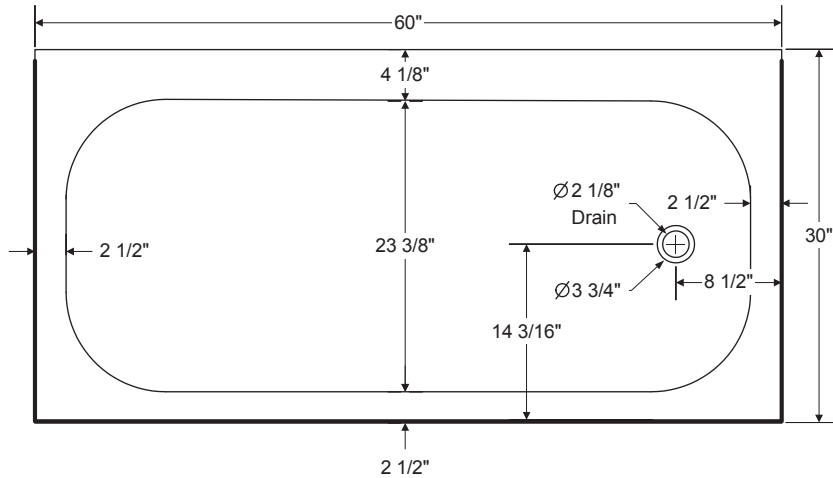
# SYNIRON 1 AFR (ABOVE FLOOR ROUGH) PORCELAIN ENAMEL 60" X 30" X 16 5/8" BATHTUB

## SYNIRON 1, 5' Bathtub

60" x 30" x 16 5/8"

Raised Outlet

011-3380 RH Drain, slip resistant  
011-3381 LH Drain, slip resistant



### Complies with:

All fixtures are compatible or comply with ANSI, ASME, CSA, WW-P 541, HUD-FHA-VA, LEED and the "Buy America Act" where applicable when installed accordingly.

### Standard Features:

"The affordable alternative to cast iron"  
Full length sound deadening pad  
Slip resistant bottom  
Set it and level it

Made in the USA

All Dimensions +/- 1/8" unless otherwise noted.  
Dimensions shown are for reference.  
Actual dimensions may vary slightly and should be checked prior to installation  
SS 5/14

