

## SYNIRON 1 KONA PORCELAIN ENAMEL 54" X 30" X 15 1/4" BATHTUB



011-3388      RH DRAIN, SLIP RESISTANT  
011-3389      LH DRAIN, SLIP RESISTANT

### *DESCRIPTION:*

The SYNIRON 1 Kona is a 54" x 30" x 15 1/4" bathtub - great choice when space is at a premium. The SYNIRON 1 Kona porcelain enamel steel bathtub uniformly sprayed with SYNIRON composite backed material on the tub. The SYNIRON 1 Kona is "the affordable alternative to cast iron" designed to improve heat retention, prevent handling and installation damage. The SYNIRON 1 Kona bathtub has a traditional design with a standard "straight" back support. Construction is one piece heavy gauge seamless steel with an acid resistant porcelain enamel finish. The SYNIRON 1 Kona weighs less than 72 lbs, easy to transport and install into a bathtub alcove - "just set it and level it". The full length support pad offers added strength and sound deadening. This product is compatible or complies with ASME A112.19.1/CSA B45.2 (Standard for Enameled Steel Plumbing Fixtures), ADA (American Disabilities Act), ASTM F 462 (Safety Specification for Slip Resistant Bathing Facilities), WW-P 541 (U.S. Military Federal Specification), HUD-FHA-VA, LEED, and the Buy American Act, as applicable when installed accordingly. Available in white, bone and biscuit colors with a right and left drain. Made in the USA.

Weight: 72 lbs



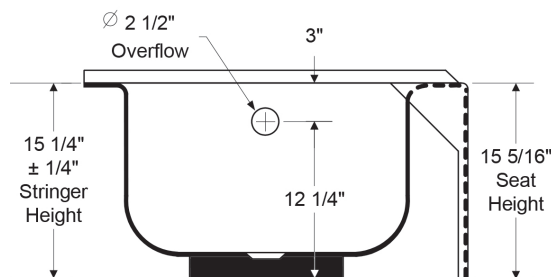
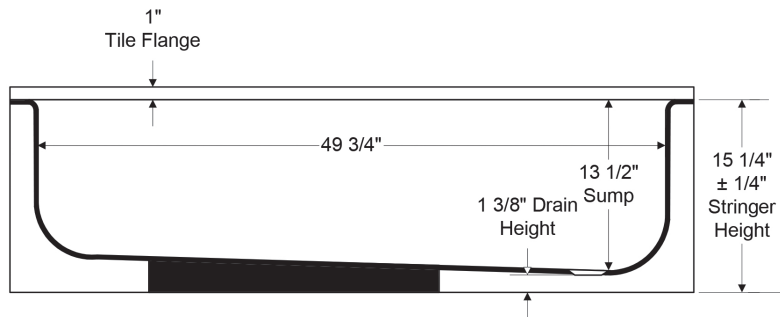
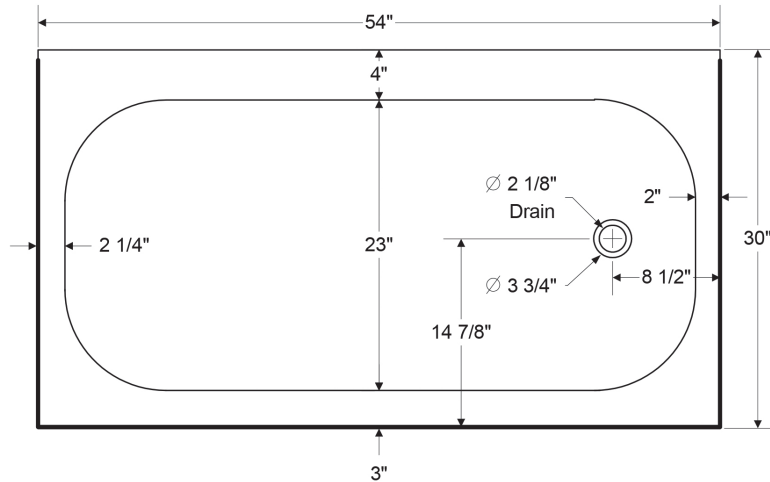
# SYNIRON 1 KONA PORCELAIN ENAMEL 54" X 30" X 15 1/4" BATHTUB

## SYNIRON 1, 4 1/2' Bathtub

54" x 30" x 15 1/4"

Standard Outlet

011-3388 RH Drain, slip resistant  
011-3389 LH Drain, slip resistant



### Complies with:

All fixtures are compatible or comply with ANSI, ASME, CSA, WW-P 541, HUD-FHA-VA, LEED and the "Buy America Act" where applicable when installed accordingly.

### Standard Features:

"The affordable alternative to cast iron"  
Full length sound deadening pad  
Slip resistant bottom  
Set it and level it

Made in the USA

All Dimensions +/- 1/8" unless otherwise noted.  
Dimensions shown are for reference.  
Actual dimensions may vary slightly and should be checked prior to installation  
SS 5/14

