

SYNIRON 2 AFR (ABOVE FLOOR ROUGH)
PORCELAIN ENAMEL
60" X 30" X 16 5/8" BATHTUB



011-3394 RH DRAIN, SLIP RESISTANT
011-3395 LH DRAIN, SLIP RESISTANT

DESCRIPTION:

The SYNIRON 2 AFR (Above Floor Rough) is a 60" x 30" x 16 5/8" bathtub encased with a SYNIRON 2 composite backed material. The SYNIRON 2 AFR bathtub is designed for above floor installations and has a raised bathing well floor to allow for above floor drain installations (e.g. hotel, motel, concrete floor installations). The SYNIRON 2 AFR is "the affordable alternative to cast iron" designed to improve heat retention, prevent handling and installation damage. The SYNIRON 2 traditional style with a standard "straight" back support. Construction is a one piece heavy gauge seamless steel with an acid resistant porcelain enamel finish. The SYNIRON 2 AFR weighs 83 lbs., easy to install into a bathtub alcove - "just set it and level it". The full length support pad offers added strength and sound deadening. This product is compatible or complies with ASME A112.19.1/CSA B45.2 (Standard for Enameled Steel Plumbing Fixtures), ADA (American Disabilities Act), ASTM F 462 (Safety Specification for Slip Resistant Bathing Facilities), ASTM E 162 (Test Method for Surface Flammability), ASTM E 662 (Test Method for Smoke Density), ANSI Z124.1.2sec5.6 (Ignition Test), WW-P 541 (U.S. Military Federal Specification), HUD-FHA-VA, LEED, and the Buy American Act, as applicable when installed accordingly. Available in white, bone and biscuit colors with a right and left drain. Made in the USA.

Weight: 83 lbs.



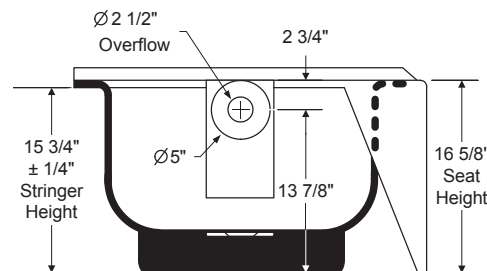
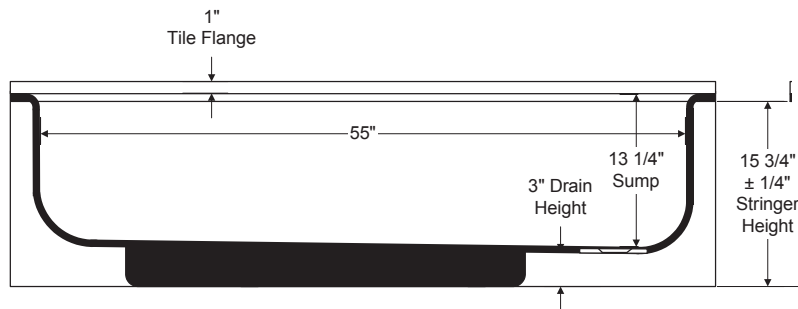
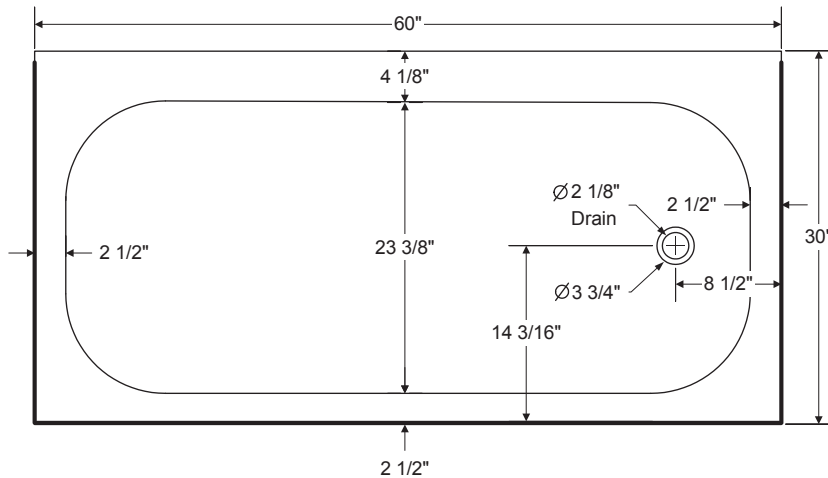
SYNIRON 2 AFR (ABOVE FLOOR ROUGH) PORCELAIN ENAMEL 60" X 30" X 16 5/8" BATHTUB

SYNIRON 2, 5' Bathtub

60" x 30" x 16 5/8"

Raised Outlet

011-3394 RH Drain, slip resistant
011-3395 LH Drain, slip resistant



Complies with:

All fixtures are compatible or comply with ANSI, ASME, CSA, WW-P 541, HUD-FHA-VA, LEED and the "Buy America Act" where applicable when installed accordingly.

Standard Features:

"The affordable alternative to cast iron"
Full length sound deadening pad
Slip resistant bottom
Set it and level it

Made in the USA

All Dimensions +/- 1/8" unless otherwise noted.
Dimensions shown are for reference.
Actual dimensions may vary slightly and should be checked prior to installation
SS 5/14

