

GARNET PORCELAIN ENAMEL
FLAT-RIM KITCHEN SINK
32" X 21" X 7 3/16"



031-2780 3-HOLE PUNCH
031-2781 4-HOLE PUNCH
031-2782 5-HOLE PUNCH

DESCRIPTION:

The Garnet is a 32" x 21" x 7 3/16" flat-rim, double bowl porcelain enamel kitchen sink. Each bowl is full size, 7 3/16" deep - 1 1/2" rim radius for an easy retro-fit application. The Garnet fits snugly into the countertop with the use of a stainless rim. The Garnet gives you the extra space combined with the classic double bowl styling that makes kitchen chores a breeze. The flat mounting surface accommodates the latest faucet designs. The Garnet kitchen sink weighs 30 lbs., easy to transport and install. Available in 3, 4 and 5 hole installation in white, bone or biscuit colors. This product is compatible or complies with ASME A112.19.1/CSA B45.2 (Standard for Enameled Steel Plumbing Fixtures), ASTM E 162 (Test Method for Surface Flammability), ASTM E 662 (Test Method for Smoke Density), ANSI Z124.1.2sec5.6 (Ignition Test), WW-P 541 (U.S. Military Federal Specification), HUD-FHA-VA, LEED, and the Buy American Act, as applicable when installed accordingly. Faucets and stainless rim not included. Made in the USA.

Weight: 30 lbs

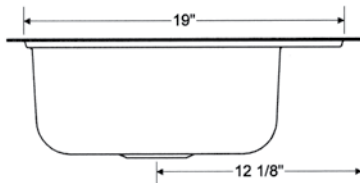
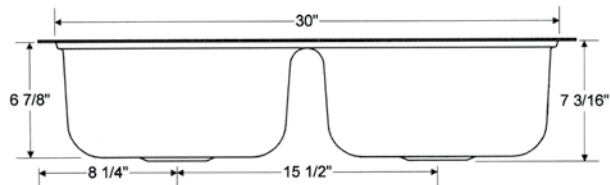
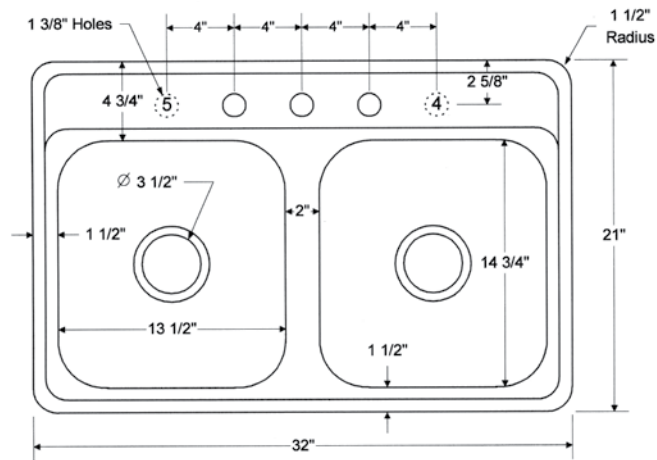


1400 Park Street • P.O. Box 18010 • Evansville, IN 47719-1010 • (812) 423-5401 • Fax (812) 429-2254 • www.bootz.com • webmaster@bootz.com

GARNET PORCELAIN ENAMEL FLAT-RIM KITCHEN SINK 32" X 21" X 7 3/16"

GARNET Double Bowl Sink 32" x 21" x 7 3/16" Flat-Rim (with soap depressions)

031-2780 3-Hole punch
031-2781 4-Hole punch
031-2782 5-Hole punch



Complies with:
All fixtures are compatible or comply with ANSI, ASME, CSA, WW-P 541, HUD-FHA-VA, LEED and the "Buy America Act" where applicable when installed accordingly.

Standard Features:
"The affordable alternative to cast iron"
Full length sound deadening pad
Slip resistant bottom
Set it and level it

Made in the USA

All Dimensions +/- 1/8" unless otherwise noted.
Dimensions shown are for reference.
Actual dimensions may vary slightly and should be checked prior to installation
SS 5/14

