

GARNET 2 PORCELAIN ENAMEL
DOUBLE BOWL KITCHEN SINK
33" X 22" X 7 3/16"



031-2957 3-HOLE PUNCH
031-2958 4-HOLE PUNCH
031-2959 5-HOLE PUNCH

DESCRIPTION:

The Garnet 2 is a 33" x 22" x 7 3/16" self-rimming, double bowl porcelain enamel kitchen sink. Each bowl is full size, 7 3/16" deep - 1 1/2" rim radius for an easy retro-fit application. The Garnet 2 fits snugly into the countertop eliminating the cost of a stainless rim. The high tech design is a cut above other high volume sinks. The flat mounting surface accommodates the latest faucet designs. Perfect for an upgrade or the replacement market. The Garnet 2 kitchen sink weighs 30 lbs., easy to transport and install. Available in 3, 4 and 5 hole installation in white, bone or biscuit colors. This product is compatible or complies with ASME A112.19.1/CSA B45.2 (Standard for Enameled Steel Plumbing Fixtures), ASTM E 162 (Test Method for Surface Flammability), ASTM E 662 (Test Method for Smoke Density), ANSI Z124.1.2sec5.6 (Ignition Test), WW-P 541 (U.S. Military Federal Specification), HUD-FHA-VA, LEED, and the Buy American Act, as applicable when installed accordingly. Faucets not included. Made in the USA.

Weight: 30 lbs



1400 Park Street • P.O. Box 18010 • Evansville, IN 47719-1010 • (812) 423-5401 • Fax (812) 429-2254 • www.bootz.com • webmaster@bootz.com

GARNET 2 PORCELAIN ENAMEL DOUBLE BOWL KITCHEN SINK 33" X 22" X 7 3/16"

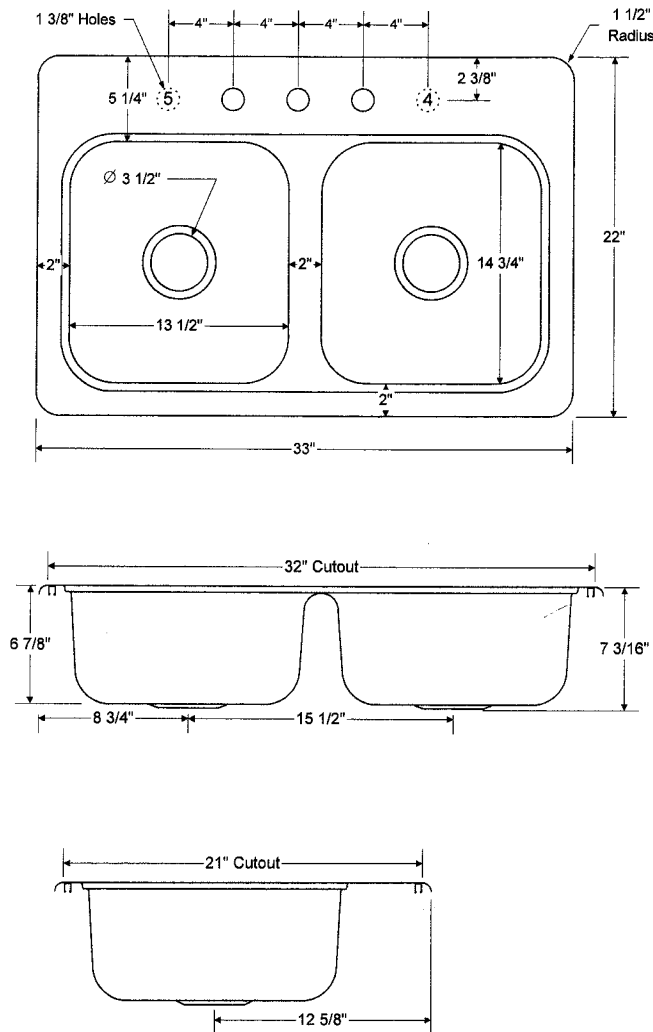
GARNET 2 Double Bowl Sink

33" x 22" x 7 3/16"

Self-Rimming

(w/o soap depressions)

031-2957 3-Hole punch
031-2958 4-Hole punch
031-2959 5-Hole punch



Complies with:

All fixtures are compatible or comply with ANSI, ASME, CSA, WW-P 541, HUD-FHA-VA, LEED and the "Buy America Act" where applicable when installed accordingly.

Standard Features:

"The affordable alternative to cast iron"
Full length sound deadening pad
Slip resistant bottom
Set it and level it

Made in the USA

All Dimensions +/- 1/8" unless otherwise noted.

Dimensions shown are for reference.
Actual dimensions may vary slightly and
should be checked prior to installation
SS 5/14

