

MAUI PORCELAIN ENAMEL 60" X 30" X 16 5/8" BATHTUB



011-3340 RH DRAIN, SLIP-RESISTANT
011-3341 LH DRAIN, SLIP-RESISTANT

DESCRIPTION:

The Maui is a 60" x 30" x 16 5/8" deep soaker - 2" deeper than the standard 5' bathtub. The Maui bathing area is full size with a 15" soaking depth. The Maui has a 35 degree lumbar support for a more comfortable bathing experience. Construction is one piece heavy gauge seamless steel with an acid resistant porcelain enamel finish. The Maui weighs 74 lbs., easy to install into bathtub alcove - "just set it and level it". The full length support pad offers added strength and sound deadening. This product is compatible or complies with ASME A112.19.1/CSA B45.2 (Standard for Enameled Steel Plumbing Fixtures), ADA (American Disabilities Act), ASTM F 462 (Safety Specification for Slip Resistant Bathing Facilities), WW-P 541 (U.S. Military Federal Specification), HUD-FHA-VA, LEED, and the Buy American Act, as applicable when installed accordingly. Available in white, bone and biscuit colors with a right and left drain. Made in the USA.

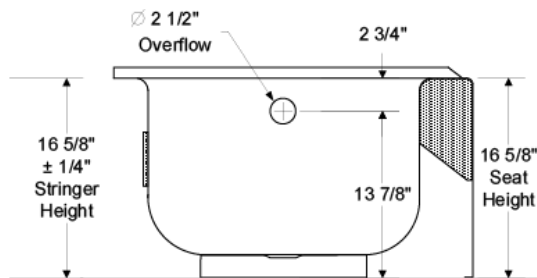
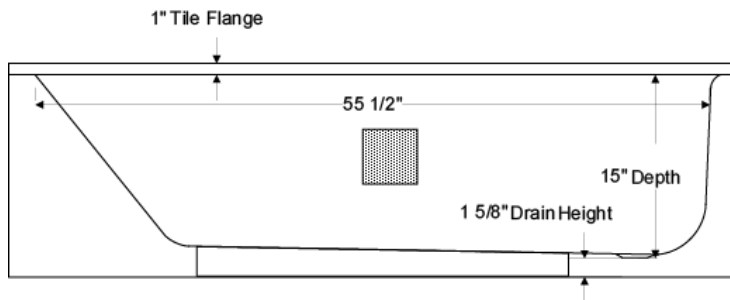
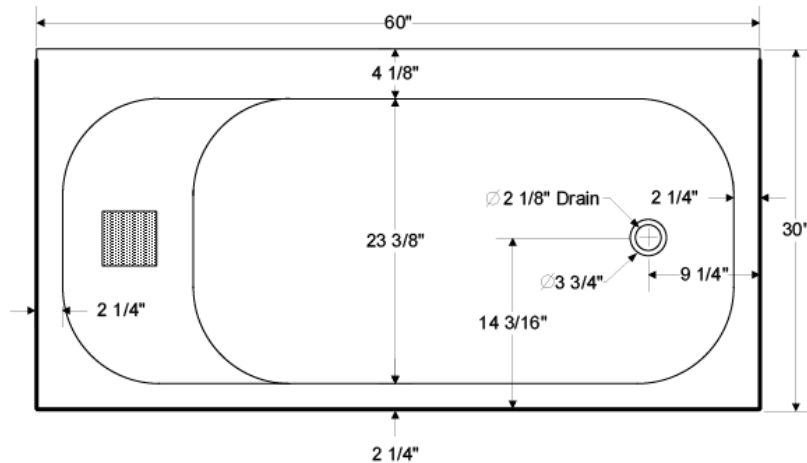
Weight: 74 lbs




MAUI PORCELAIN ENAMEL 60" X 30" X 16 5/8" BATHTUB

Maui 5' Bathtub
60" x 30" x 16 5/8"
Weight: 74 lbs
Standard Outlet

011-3340 RH Drain, slip-resistant
011-3341 LH Drain, slip-resistant



 Noise-absorbing pads
4-1/2"x4-1/2"x1/8" (2per tub)



Complies with:
All fixtures are compatible or comply with ANSI, ASME, CSA, WW-P 541, HUD-FHA-VA, LEED and the "Buy America Act" where applicable when installed accordingly.

Standard Features:
"The affordable alternative to cast iron"
Full length sound deadening pad
Slip resistant bottom
Set it and level it

Made in the USA

All Dimensions +/- 1/8" unless otherwise noted.
Dimensions shown are for reference.
Actual dimensions may vary slightly and should be checked prior to installation
SS 5/14